

Triyör Trieur Триер



“Precision Separation for Superior Grain Quality”

The Trieur is designed to separate unwanted grains or foreign materials based on differences in kernel length and shape. Through its specially designed rotating cylinders with indentations, it ensures precise separation of broken grains, weed seeds, or other impurities, improving the overall quality of the cleaned product.



High Performance

Высокая
производительность



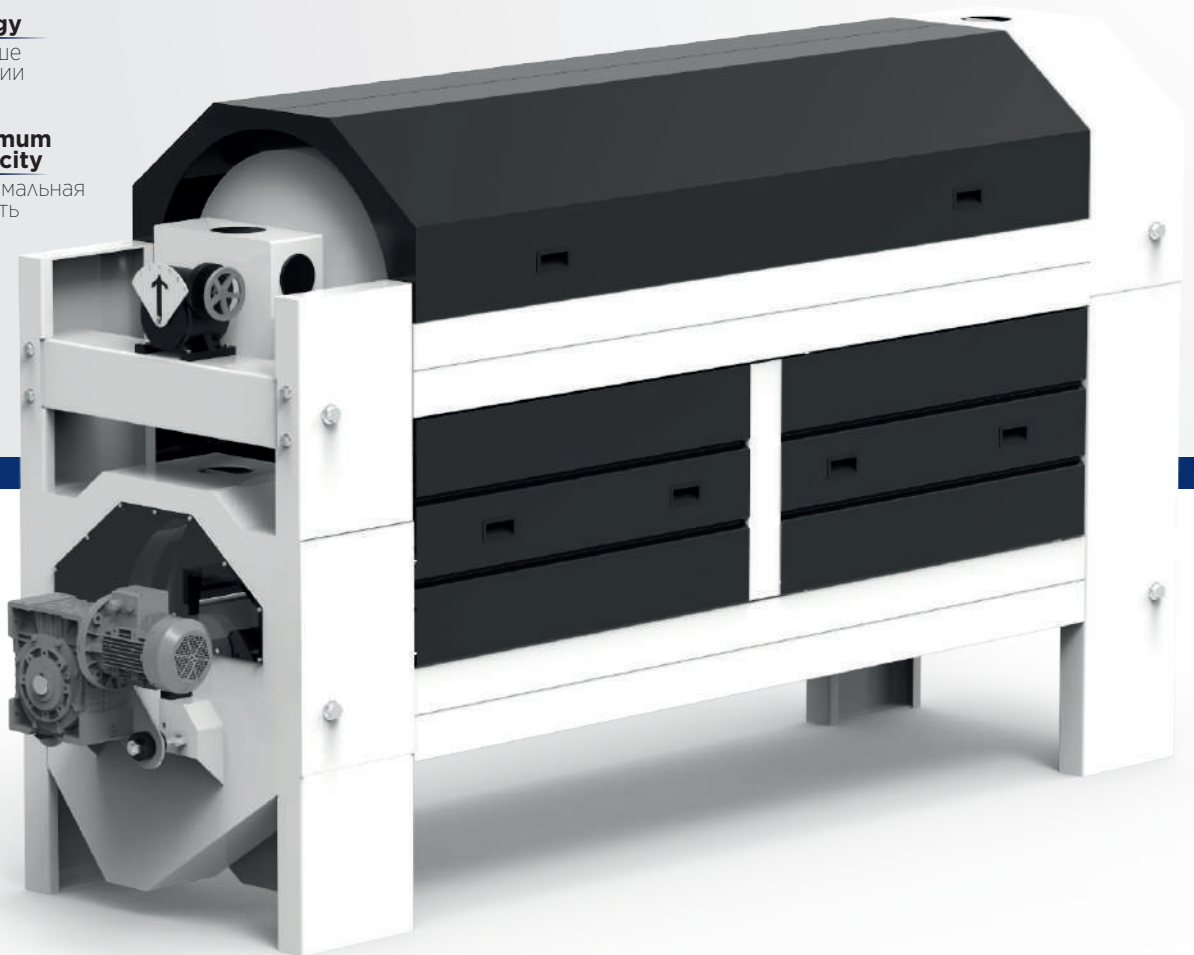
Less Energy

Меньше
Энергии



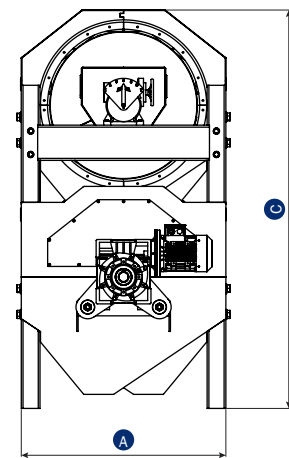
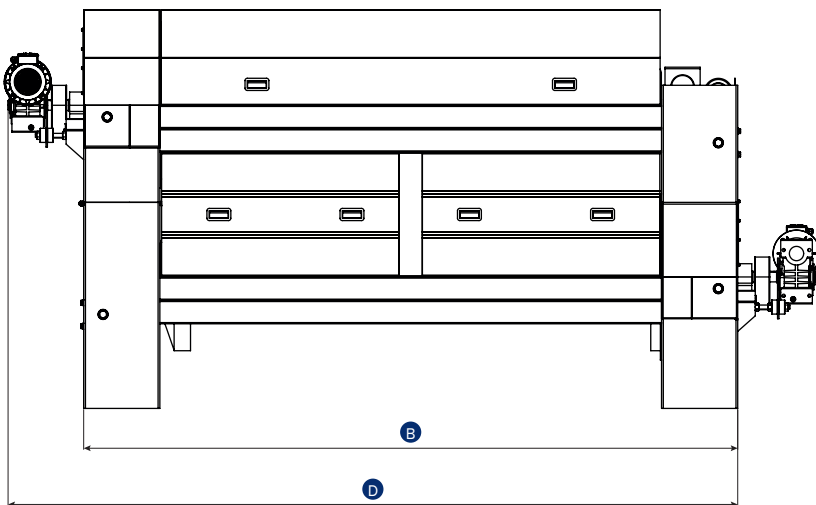
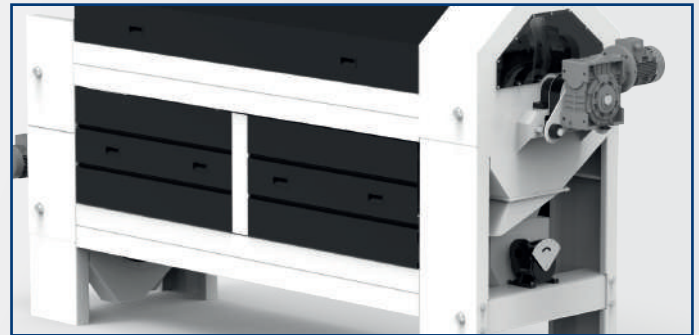
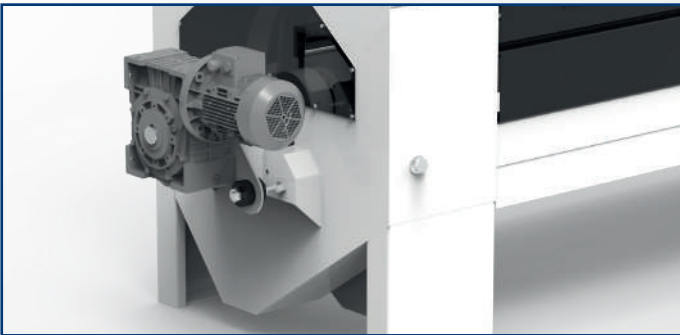
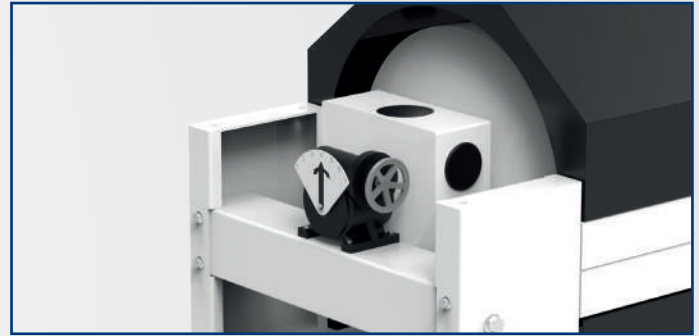
Maximum Capacity

Максимальная
емкость



Suitable for wheat, barley, corn, and other grains, the Trieur delivers stable and efficient performance under various operating conditions. Its adjustable settings allow for easy adaptation to different product types and contamination levels, ensuring consistent cleaning results.

Manufactured from high-quality, wear- and corrosion-resistant materials, the Trieur is built for long service life in demanding industrial environments. Its user-friendly design allows quick access to internal components for cleaning and maintenance, reducing downtime and ensuring continuous, reliable operation.



Type Model	A	B	C	D	Motor Power Motor (kW)
KRM-TR 1	900	2490	2055	2960	2x1,5
KRM-TR 2	900	2490	1195	2960	1,5
KRM-TR 3	1000	2900	2200	3750	2x2,2
KRM-TR 4	1000	2900	1290	3750	2,2
KRM-TR 5	720	2900	950	2500	0,75